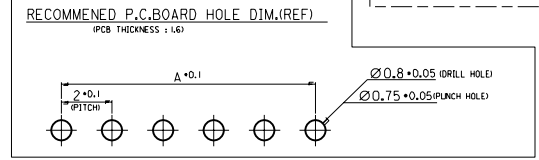
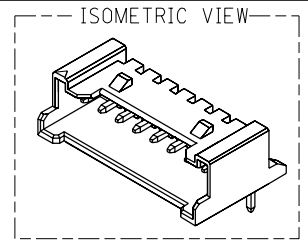
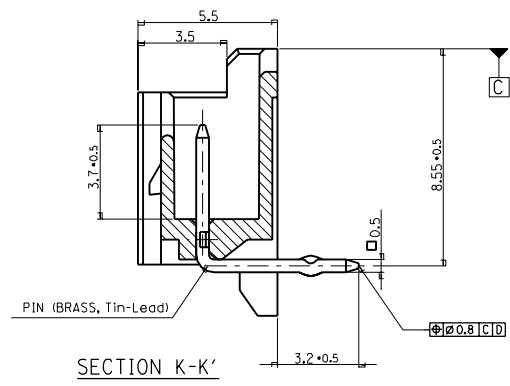
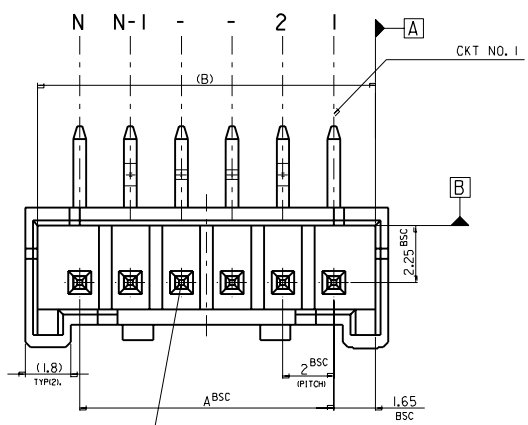


ENG. NO
SD 35363-001

EDP NO.

SIMILAR ITEM

PROJECT NO.



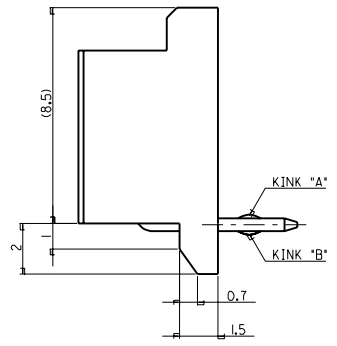
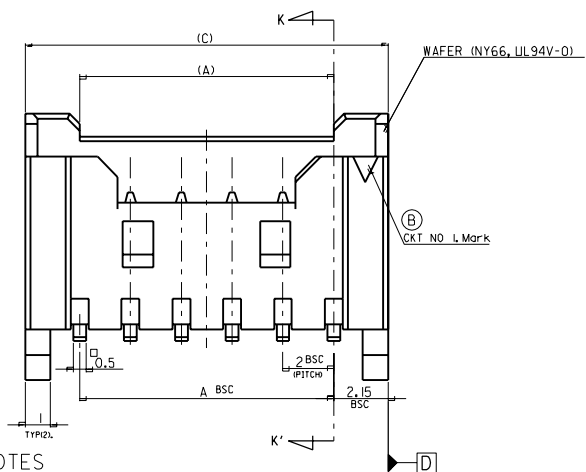
LEGEND

SD-35363-***I

CTKT NO. _____

COLOR

- 0 : NATURAL
- 1 : BLACK
- 2 : RED
- 3 : YELLOW
- 4 : BLUE
- 5 : GREEN



NOTES

- MATING HOUSING : 35507-**-0*
- MATING TERMINAL : 50212-8000
- KINK

CTKT NO	1	2	3	4	5	N-2	N-1	N
6 CKT OVER	-	A	B	-	-	B	A	-
5 CKT	A	B	-	B	A			
4 CKT	A	B	B	A				

3. PRODUCT SPECIFICATION NO : PS-35507-001

32.3	31.3	28	-15I*	15
30.3	29.3	26	-14I*	14
28.3	27.3	24	-13I*	13
26.3	25.3	22	-12I*	12
24.3	23.3	20	-11I*	11
22.3	21.3	18	-10I*	10
20.3	19.3	16	-09I*	9
18.3	17.3	14	-08I*	8
16.3	15.3	12	-07I*	7
14.3	13.3	10	-06I*	6
12.3	12.3	8	-05I*	5
10.3	9.3	6	35363-04I*	4
(C)	(B)	A	ENG. NO.	CKT

GENERAL TOLERANCE				MATERIAL		MOLEX MOLEX-KOREA CO.,LTD.	
30 over	+0.3	(D) Revised	KOR 1998-0126	981007	DRAWN BY Y.S.Kim 96.09.11		CHK'D BY J.K.Ohn
10 over 30 under	±0.25	(C) Revised	KOR 1998-0062	980423	APP'D BY C.W.Lee		SCALE 1:1
10 under	±0.2	(B) Revised	KOR7-0113	970901	TITLE: NEW 2.0 W/B CONN WAFER ASSY (RA)		SHEET 1/3
ANGLE	±3°	A NEW RELEASE	KOR7-0034	970404	ENG. NO. SD35363-001		REV D
LTR REVISION RECORD		ECN	DATE	ASS'Y PART DESCRIPTION		ENG. NO.	
GENERAL TOLERANCE				REVISE ONLY ON CAD SYSTEM			

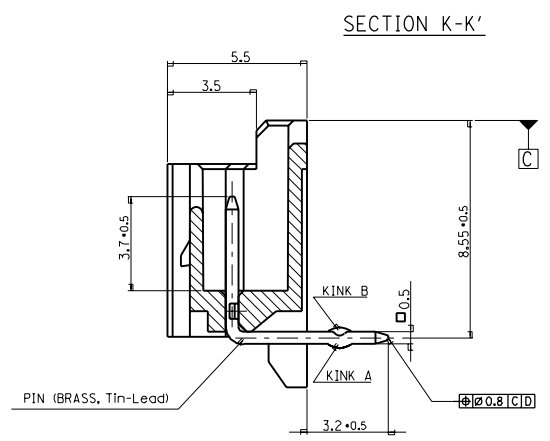
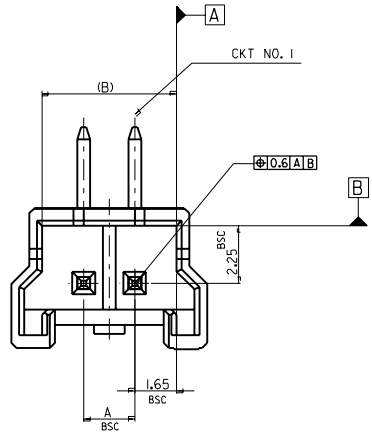
ENG. NO
SD 35363-002

EDP NO.

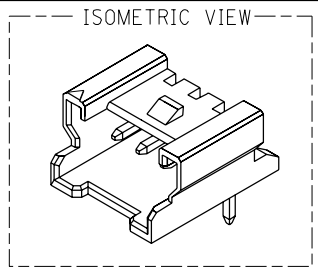
SIMILAR ITEM

PROJECT NO.

8 7 6 5 4 3 2 1



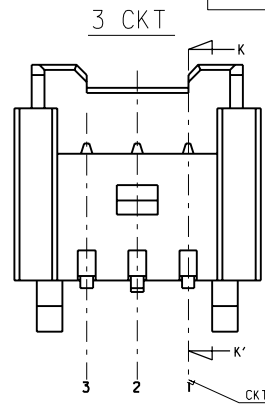
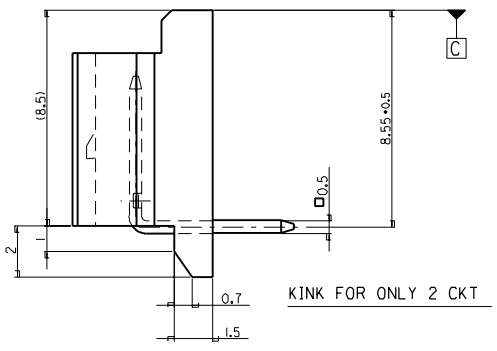
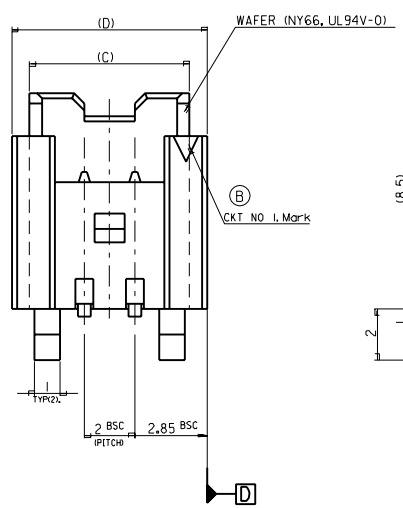
FOR 2 & 3 CKTS.



LEGEND

SD-35363-*** | * COLOR

0	NATURAL
1	BLACK
2	RED
3	YELLOW
4	BLUE
5	GREEN



NOTES

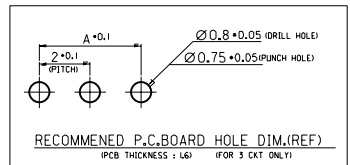
1. MATING HOUSING : 35507-**0
MATING TERMINAL : 50212-8000

2. KINK

CKT NO	1	2	3
2 CKT	NONE	KINK	
3 CKT	A	B	A

3. PRODUCT SPECIFICATION NO : PS-35507-001

9.7	8.3	7.3	4	-031*	3
7.7	6.3	5.3	2	35363-021*	2
(D)	(C)	(B)	A	ENG. NO.	CKT



30 over	+0.3
10 over 30 under	±0.25
10 under	±0.2
ANGLE	±3°

GENERAL TOLERANCE

D	Revised	KOR 1998-0126	981007
C	Revised	KOR 1998-0062	980423
B	Revised	KOR7-0113	970901
A	Release to manufacturer	KOR7-0034	970404
LTR	REVISION RECORD	ECN	DATE

REVISE ONLY ON CAD SYSTEM

MATERIAL	
GENERAL TOLERANCE DIMENSION : ANGLE :	
DIMENSION CLASSIFICATION : CRITICAL : MAJOR : REFERENCE	
ASS'Y PART DESCRIPTION ENG. NO.	

molex MOLEX-KOREA CO.,LTD.	
DRAWN BY Y.S.Kim 96.09.11	CHK'D BY J.K.Oh
APP'D BY C.W.Lee	SCALE 1:1
TITLE: NEW 2.0 W/B CONN WAFER ASSY (RA)	SHEET 2/3
ENG. NO. SD 35363-002	REV D

THIS DRAWING CONTAINS INFORMATION THAT IS PROPRIETARY TO MOLEX(KOREA) AND SHOULD NOT BE USED WITHOUT WRITTEN PERMISSION MX-A3(ANSI:290,420)

SD35363.S02

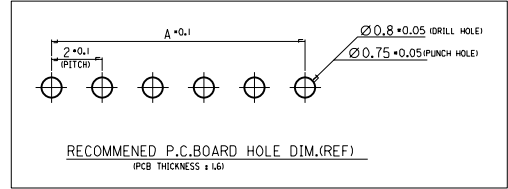
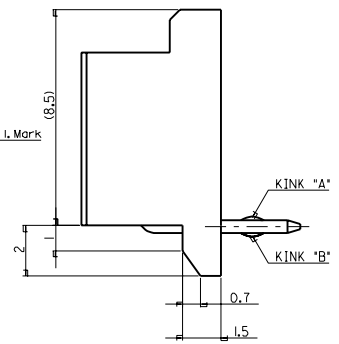
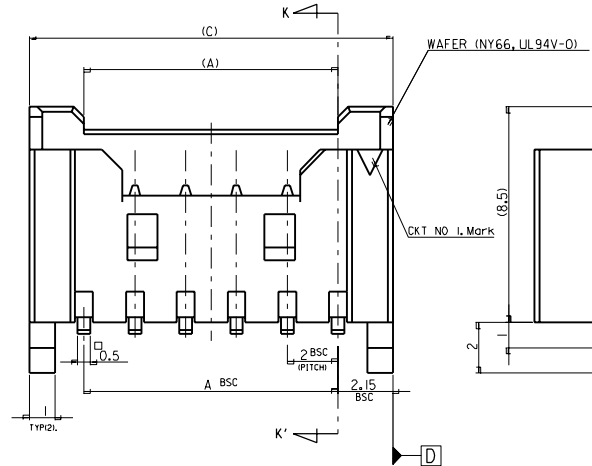
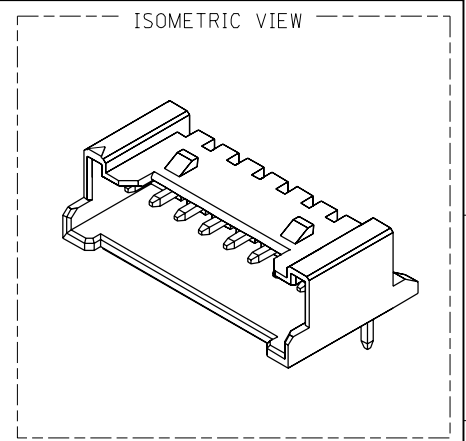
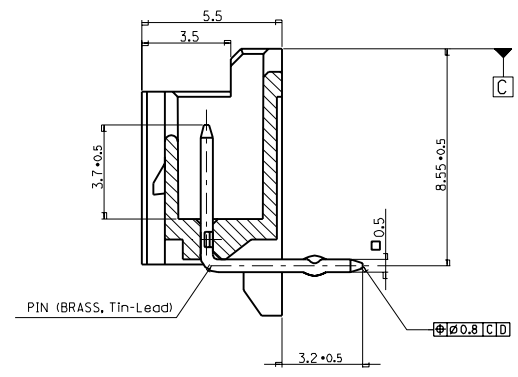
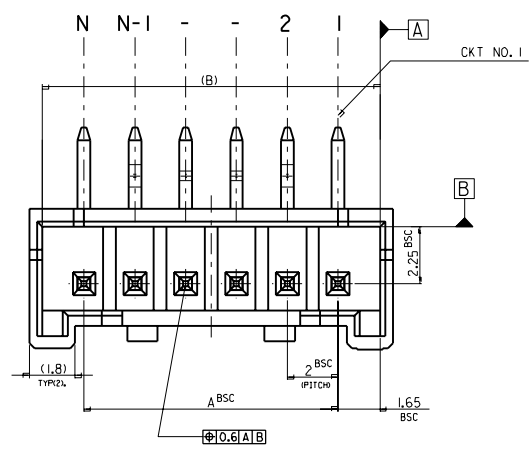
ENG. NO
SD 35363-003

EDP NO.

SIMILAR ITEM

PROJECT NO.

8 7 6 5 4 3 2 1



LEGEND

SD-35363-***I * COLOR

- 0 : NATURAL
- 1 : BLACK
- 2 : RED
- 3 : YELLOW
- 4 : BLUE
- 5 : GREEN

NOTES

- MATING HOUSING : 35507-**0*
MATING TERMINAL : 50212-8000
- KINK

CKT NO	1	2	3	4	N-3	N-2	N-1	N
CKT	-	A	B	-	-	B	A	-

3. PRODUCT SPECIFICATION NO : PS-35507-001

30 over	+0.3
10 over 30 under	±0.25
10 under	±0.2
ANGLE	±3°
GENERAL TOLERANCE	

B	REVISED	KOR1998-0126	981007
A	Release to manufacturing	KOR1998-0062	980423
LTR	REVISION RECORD	ECN	DATE
REVISE ONLY ON CAD SYSTEM			

MATERIAL	
GENERAL TOLERANCE DIMENSION : ANGLE :	
DIMENSION CLASSIFICATION ▽ : CRITICAL ▼ : MAJOR () : REFERENCE	
ASS'Y PART	ENG. NO.

molex MOLEX-KOREA CO.,LTD.	
DRAWN BY 980423 Y.S.Kim	CHK'D BY J.K.Oh
APP'D BY C.W.Lee	SCALE 1:1
TITLE : NEW 2.0 W/B CONN WAFFER ASSY (RAI)-20P	SHEET 3/3
ENG. NO. SD 35363-003	REV B

42.3	41.3	38	35363-20I*	20
(C)	(B)	A	ENG. NO.	CKT

SD35363.S03